

TWIN CAY BED QUEEN LENGTH ASSEMBLY INSTRUCTIONS

TOOLS NEEDED

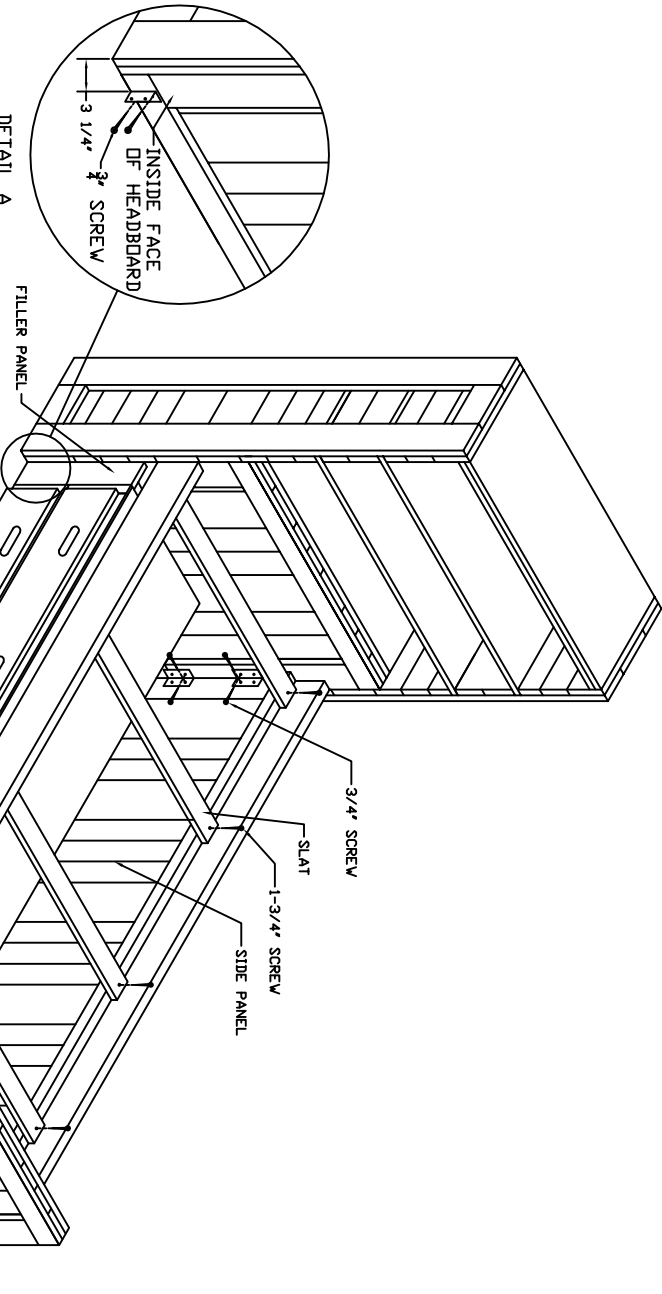
- 1 - 9/16" SOCKET & RATCHET
- 1 - PHILLIPS HEAD SCREWDRIVER

PARTS LIST

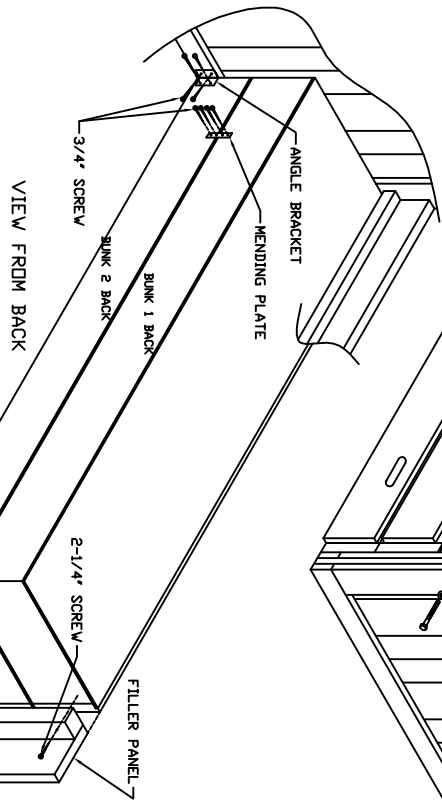
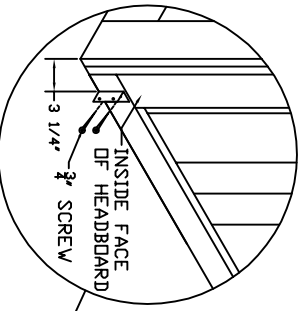
- 1 - BOOKCASE HEADBOARD
- 1 - FOOTBOARD
- 2 - 81" SIDE RAILS
- 2 - BUNK DRAWER UNITS
- 4 - SLATS
- 1 - 81" SIDE PANEL
- 2 - MENDING PLATES
- 6 - ANGLE BRACKETS
- 8 - 5" LAG BOLT
- 8 - WASHER
- 8 - 1-3/4" SCREWS
- 32 - 3/4" SCREWS
- 2 - 2-1/4" SCREWS

ASSEMBLY INSTRUCTIONS

1. PLACE TWO BUNK DRAWER UNITS ON TOP OF EACH OTHER AS SHOWN. FLUSH ENDS AND FRONTS. ATTACH (2) MENDING PLATES TO BACK OF UNITS AS SHOWN IN DRAWING USING (8) 3/4" SCREWS.
2. ATTACH FILLER PANEL ONE END OF THE STACK OF BUNK DRAWERS USING (2) 2-1/4" SCREWS. FLUSH FACE OF FILLER PANEL WITH FACE OF BUNK DRAWER UNITS. FILLER PANEL CAN BE ATTACHED TO EITHER END OF THE UNITS.
3. ASSEMBLE HEADBOARD, FOOTBOARD AND SIDE RAILS USING 5" LAG BOLTS AND WASHERS SUPPLIED IN HARDWARE BAG.
4. ATTACH ONE ANGLE BRACKET TO THE BOTTOM OF THE HEADBOARD THAT THE FILLER PANEL WILL ATTACH TO USING (2) 3/4" SCREWS AS SHOWN IN DETAIL A. THE BRACKET SHOULD BE ATTACHED 3-1/4" BACK FROM EDGE OF HEADBOARD. THIS WILL BE USED LATER TO ATTACH THE ASSEMBLY TO THE BED END.
5. SLIDE BUNK DRAWER ASSEMBLY UNDER THE SIDE RAILS. ATTACH (1) ANGLE BRACKET TO BACK SIDE OF BUNK DRAWER #2 AND BED END USING (4) 3/4" SCREWS AS SHOWN IN DRAWING. SECURE THE FILLER PANEL END TO THE BRACKET ATTACHED EARLIER TO THE INSIDE OF THE HEADBOARD USING (2) 3/4" SCREWS.
6. ATTACH (4) ANGLE BRACKETS TO INSIDE FACE OF SIDE PANEL WITH (8) 3/4" SCREWS. FLUSH BRACKETS TO ENDS OF SIDE PANEL ABOUT 2" FROM TOP AND BOTTOM.
7. ATTACH 81" SIDE PANEL TO SIDE OF BED OPPOSITE BUNK DRAWERS. FLUSH FACE OF SIDE PANEL WITH FACE OF SIDE RAIL. SECURE WITH (8) 3/4" SCREWS.
8. ATTACH (4) SLATS TO SIDE RAIL CLEATS AS SHOWN USING 1-3/4" SCREWS.



DETAIL A



THIS END UP FURNITURE CO.
 P.O. Box 5410 Sanford, North Carolina 27331
 (800) 605-2130 (919) 774-7474 Fax (919) 774-7430 www.thisendup.com