

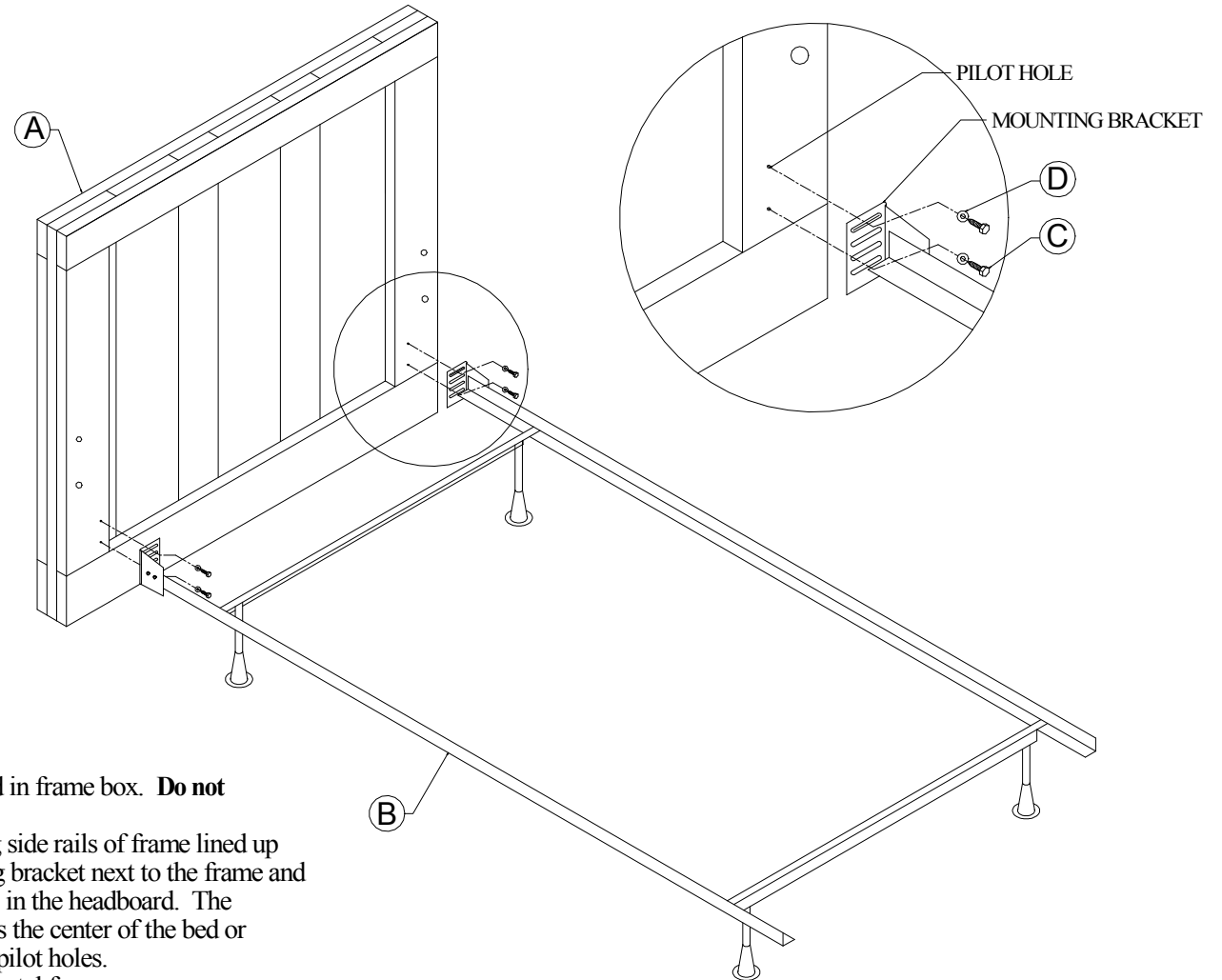
TWIN, FULL AND QUEEN HEADBOARD WITH METAL FRAME ASSEMBLY INSTRUCTIONS

TOOLS NEEDED

- 1 - 7/16" SOCKET & RATCHET
- 1 - ADJUSTABLE WRENCH

PARTS LIST

- A - HEADBOARD (1)
- B - TWIN/FULL/QUEEN METAL FRAME (1)
- C - 1" LONG HEX HEAD SCREW (4)
- D - WASHER (4)



ASSEMBLY INSTRUCTIONS

1. Place headboard upright against wall.
2. Assemble metal frame using instructions provided in frame box. **Do not attach mounting brackets at this time.**
3. Place metal frame in front of headboard with long side rails of frame lined up with pilot holes in headboard. Place the mounting bracket next to the frame and line up the slots in the bracket with the pilot holes in the headboard. The mounting bracket can be positioned either towards the center of the bed or towards the outside of the bed to line up with the pilot holes.
4. Attach mounting brackets with bolts supplied in metal frame.
5. Attach metal frame to headboard with (4) 1" hex head screws and (4) washers. Insert screws through bracket and into pilot holes on headboard and tighten with a wrench.

THIS END UP FURNITURE CO.

P.O. Box 5410 Sanford, North Carolina 27331

(800) 605-2130 (919) 774-7474 Fax (919) 774-7430 www.thisendup.com