

KING AND QUEEN BED ASSEMBLY INSTRUCTIONS

TOOLS NEEDED

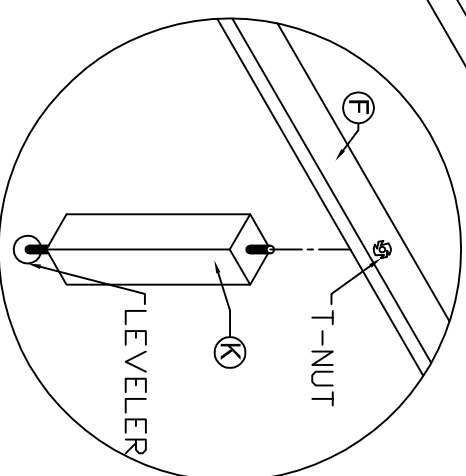
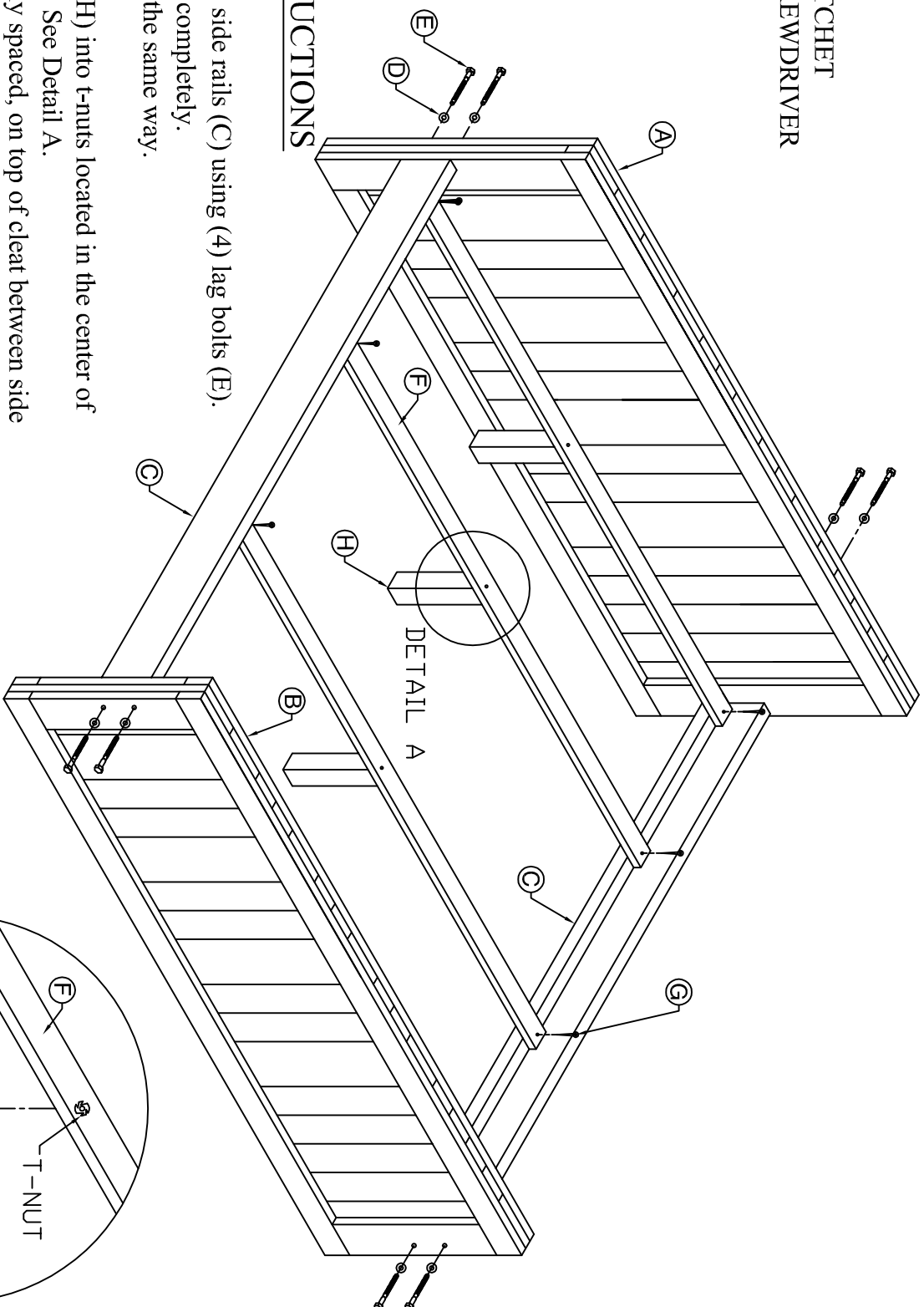
- 1 - 9/16" SOCKET & RATCHET
- 1 - PHILLIPS HEAD SCREWDRIVER

PARTS LIST

- A - HEADBOARD
- B - FOOTBOARD
- C - 81" SIDE RAILS (2)
- D - WASHER (8)
- E - 5" LAG BOLT (8)
- F - SLATS (4)
- G - 1-3/4" SCREW (8)
- H - LEG SUPPORT (4)

ASSEMBLY INSTRUCTIONS

1. Attach headboard (A) to side rails (C) using (4) lag bolts (E). Do not tighten lag bolts completely.
2. Attach footboard (B) in the same way.
3. Tighten all (8) lag bolts.
4. Screw (4) leg supports (H) into t-nuts located in the center of slats (F). Hand tighten. See Detail A.
5. Place (4) slats (F), evenly spaced, on top of cleat between side rails. Place first two slats at the ends of each side rail close to headboard and footboard. Space remaining two out evenly between each end.
6. Attach slats to side rails using (8) screws (G).
7. Adjust each leveler on bottom of leg supports so that they touch the floor.



THIS END UP FURNITURE CO.

P.O. Box 5410 Sanford, North Carolina 27331

(800) 605-2130 (919) 774-7474 Fax (919) 774-7430 www.thisendup.com

DETAIL A