

CAPTAIN BED QUEEN LENGTH ASSEMBLY INSTRUCTIONS

TOOLS NEEDED

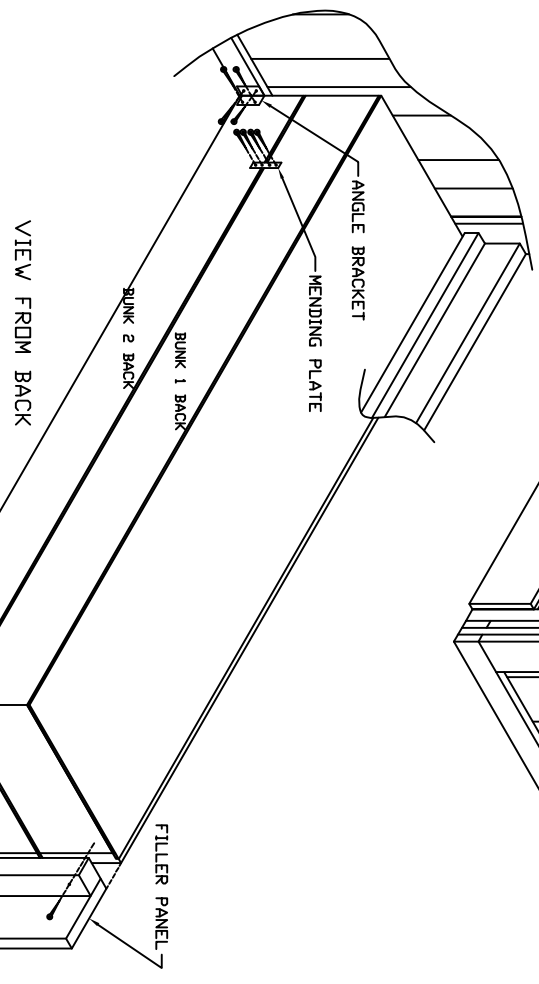
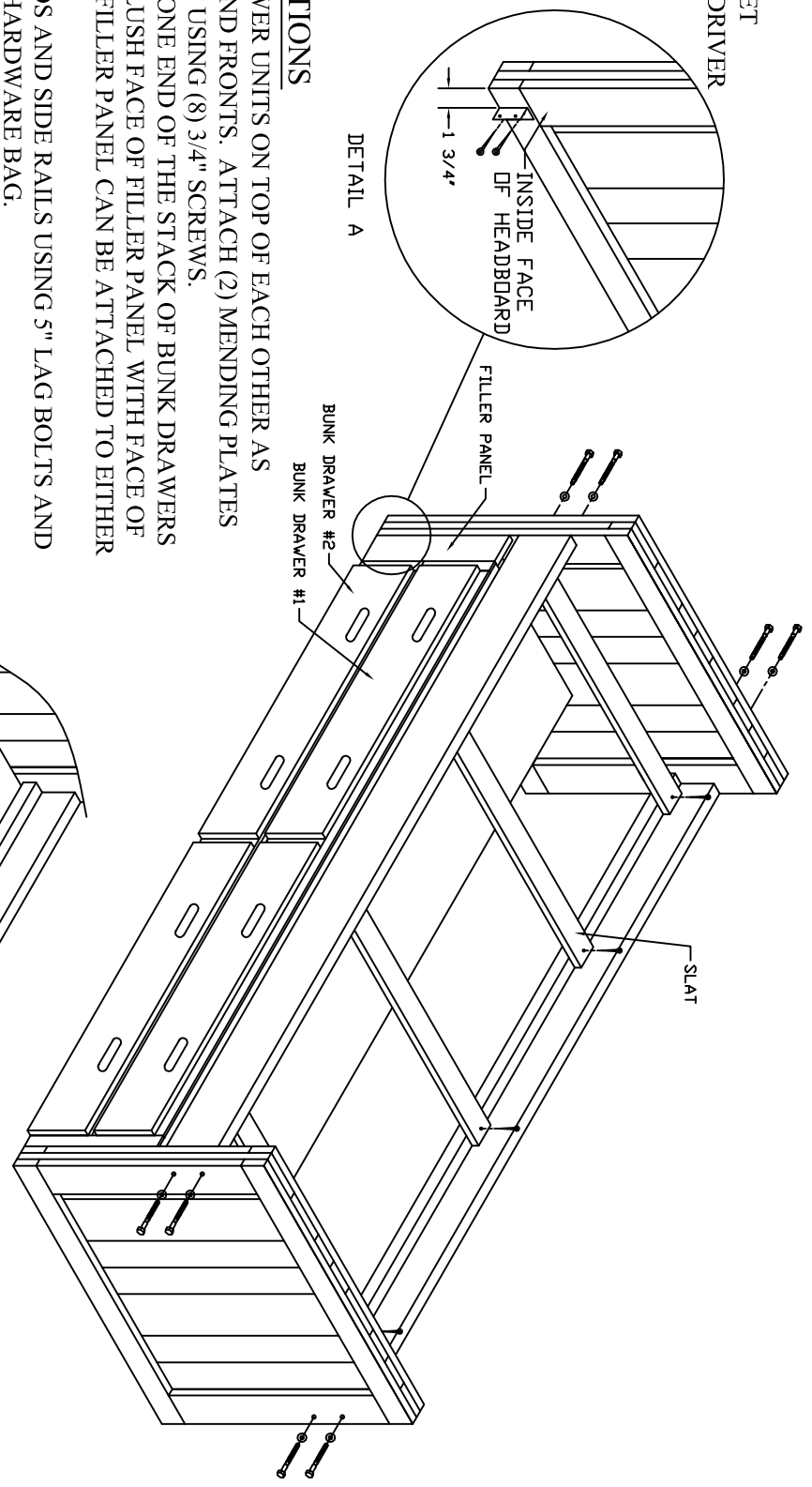
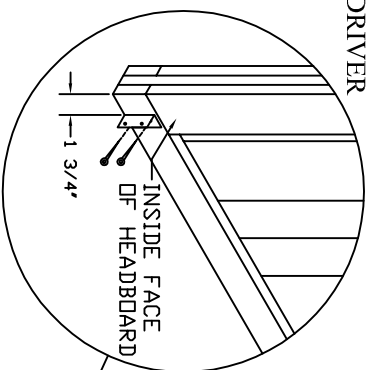
- 1 - 9/16" SOCKET & RATCHET
- 1 - PHILLIPS HEAD SCREWDRIVER

PARTS LIST

- 2 - HEADBOARD
- 2 - 81" SIDE RAILS
- 2 - BUNK DRAWER UNITS
- 4 - SLATS
- 2 - MENDING PLATES
- 2 - ANGLE BRACKETS
- 1 - BED HARDWARE BAG
- 1 - FILLER PANEL
- 16 - 3/4" SCREWS
- 2 - 2-1/4" SCREWS

ASSEMBLY INSTRUCTIONS

1. PLACE TWO BUNK DRAWER UNITS ON TOP OF EACH OTHER AS SHOWN. FLUSH ENDS AND FRONTS. ATTACH (2) MENDING PLATES AS SHOWN IN DRAWING USING (8) 3/4" SCREWS.
2. ATTACH FILLER PANEL ONE END OF THE STACK OF BUNK DRAWERS USING (2) 2" SCREWS. FLUSH FACE OF FILLER PANEL WITH FACE OF BUNK DRAWER UNITS. FILLER PANEL CAN BE ATTACHED TO EITHER END OF THE UNITS.
3. ASSEMBLE HEADBOARDS AND SIDE RAILS USING 5" LAG BOLTS AND WASHERS SUPPLIED IN HARDWARE BAG.
4. ATTACH ONE ANGLE BRACKET TO THE BOTTOM OF THE HEADBOARD THAT THE FILLER PANEL WILL ATTACH TO USING (2) 3/4" SCREWS AS SHOWN IN DETAIL A. THE BRACKET SHOULD BE ATTACHED 1-3/4" BACK FROM EDGE OF HEADBOARD. THIS WILL BE USED LATER TO ATTACH THE ASSEMBLY TO THE BED END.
5. SLIDE BUNK DRAWER ASSEMBLY UNDER THE SIDE RAILS. ATTACH (1) ANGLE BRACKET TO BACK SIDE OF BUNK DRAWER #2 AND BED END USING (4) 3/4" SCREWS AS SHOWN IN DRAWING. SECURE THE FILLER PANEL END TO THE BRACKET ATTACHED EARLIER TO THE INSIDE OF THE HEADBOARD USING (2) 3/4" SCREWS.
4. ATTACH (4) SLATS TO SIDE RAIL CLEATS AS SHOWN USING 1-3/4" SCREWS.



THIS END UP FURNITURE CO.
 P.O. Box 5410 Sanford, North Carolina 27331
 (800) 605-2130 (919) 774-7474 Fax (919) 774-7430 www.thisendup.com