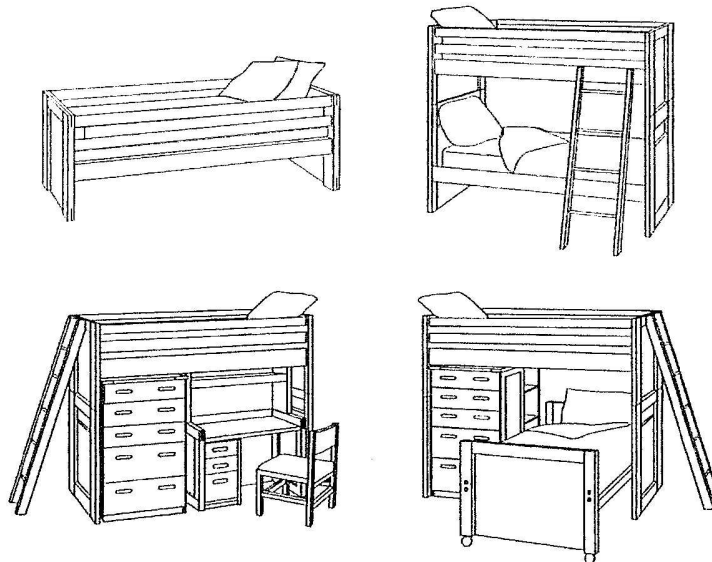


THIS END UP BUNK BED ASSEMBLY AND SAFETY GUIDE



Model # 08001, 08002, 08015, 08016, 18001, 18002, 08026



This End Up Furniture Company • P O Box 5410 • Sanford • NC • 27331
(800) 605-2130

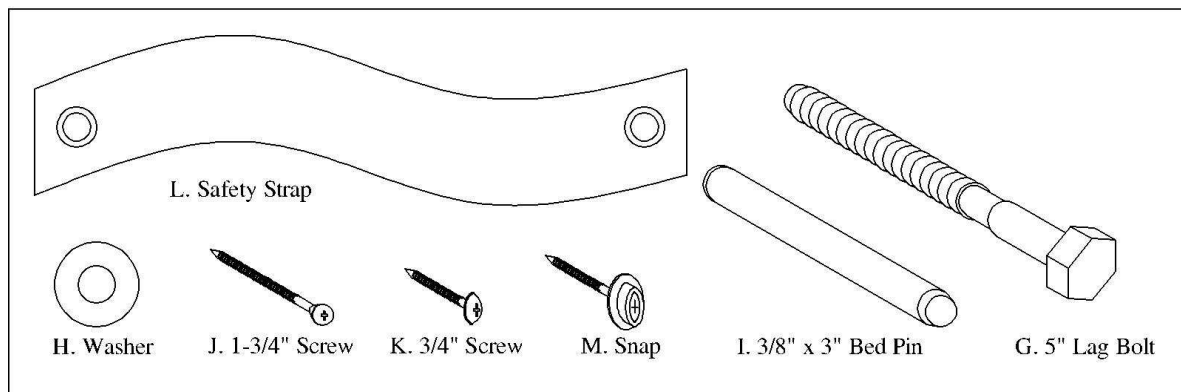
THIS END UP BUNK BED

ASSEMBLY AND SAFETY GUIDE

PARTS

3 Hardware Packages Required: (1 Bunk Hardware, 1 Bed Hardware and 1 Guardrail Safety Strap Hardware Packet)

BUNK COMPONENTS	BUNK HARDWARE	GUARDRAIL STRAP HARDWARE	TOOLS REQUIRED
A. (2) Bottom Bunk Ends	G. (16) 5" Lag Bolts	K. (4) 3/4" Screws	9/16" Socket or Adjustable Wrench
B. (2) Top Bunk Ends	H. (16) Washers	L. (4) Guardrail Safety Straps	Phillips Head Screwdriver
C. (4) Side Rails	I. (4) 3/8" x 3" Bed Pins	M. (4) Snaps	
D. (8) Slats	J. (16) 1-3/4" Screws		
E. (2) Guardrails			
F. (1) Ladder			



ASSEMBLY

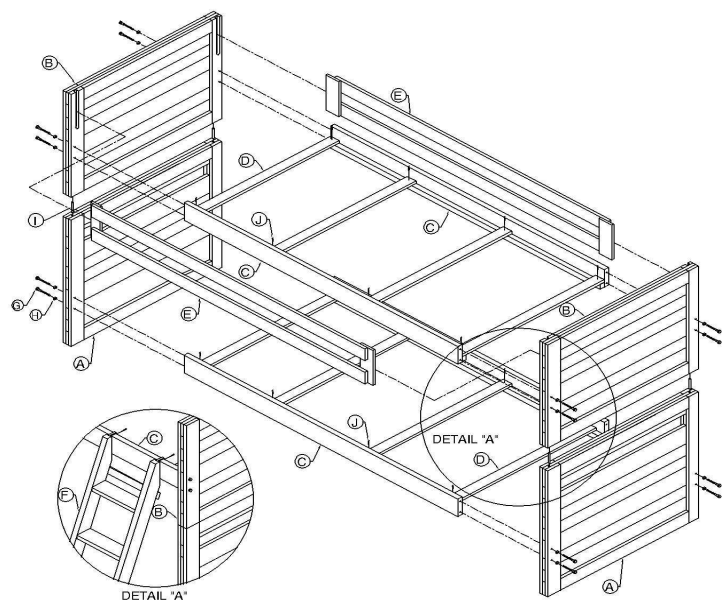
Notes:

*Two people required for assembly!
Make sure you have all parts before assembly.*

INSTRUCTIONS

(Read completely before beginning assembly)

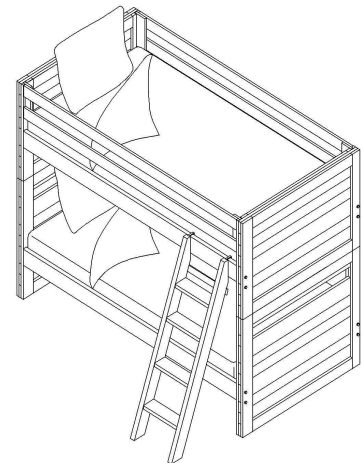
1. Attach 2 side rails (C) to 2 bottom ends (A) and secure with washers (H) and Lag Bolts (G).
2. Tighten lag bolts (G) completely once all 8 are in place.
3. Attach 2 side rails (C) to 2 top ends (B) with washers (H) and lag bolts (G).
4. Tighten lag bolts (G) completely once all 8 are in place.
5. Place 4 bed pins (I) in the 4 holes in the bottom ends.



(Continued next page)

Rev 5/24/13

6. Set top ends (B) over bed pins and onto bottom ends (A).
7. Place 4 Slats (D) in each bed –two at each end of the slat supports and the other two spaced evenly between the ends.
8. Secure all 8 slats (D) with screws (J).
9. Attach ladder hooks to ladder in slot provided at top end of ladder. Top of hook must be flush with end of ladder. Secure with four 1” screw provided with ladder.
10. Position ladder (F) over upper side rail or over bed end rail, depending on which bed combination you have chosen. Secure with (2) 1-1/4” long screws.



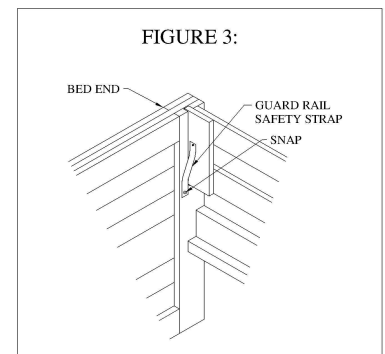
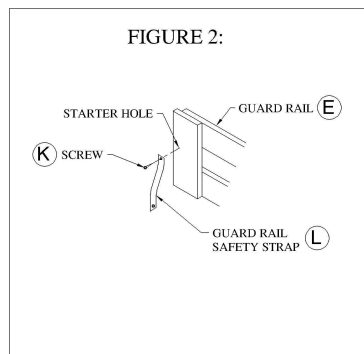
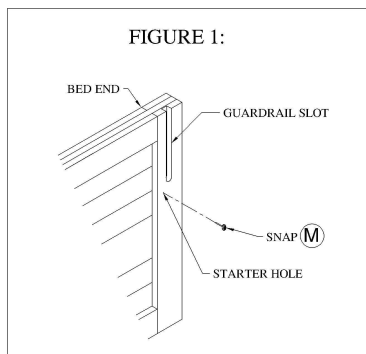
Steps 11 through 14 require the contents of the Guardrail Safety Strap packet.

TO ENSURE PROPER INSTALLATION, FOLLOW THESE INSTRUCTIONS

The Guardrail Safety Straps are to be attached to the slotted face of each bed end and the inside of each end of all guardrails.

To ensure the Guardrail Safety Straps are properly installed, follow these instructions .

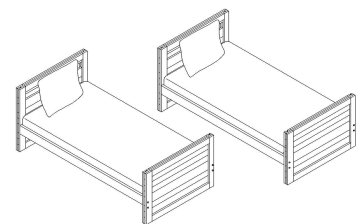
11. Find the starter holes on the inside of the upper bed ends under the guard rail slot and screw snaps (M) into each of these holes. See Figure 1.
12. Add bunkie board (foundation) and standard twin mattress on top of slats on upper bunk.
13. Attach 2 straps (L) to the guardrail (E) by inserting screw (K) through the grommet hole and into starter hole on inside of guard rail. See Figure 2. Repeat this step for the second guard rail.
14. Insert guardrails in guardrail slots in top ends and snap straps to snaps on bed ends.



WARNING: Failure to follow the Safety Guidelines on the Bunk Bed Label or to use the Guardrail Safety Straps could result in serious injury to a child. For added safety, always ensure straps are snapped to Bed Ends when Guardrails are in use. If you have problems in assembly of the Guardrail Straps, please call Customer Service at (800) 605-2130 (9 am to 5 pm Mon-Fri).

CONVERTING BUNK BEDS TO TWIN BEDS

Your bunk beds can be converted into a pair of matching twin beds by using one bottom end as a headboard and one Top End as a footboard for each of the two beds.



SAFETY WARNINGS

Our bunk beds were created with your child's safety as a top priority.

They comply with the **ATM F-1427 Standard Consumer Safety Specification for Bunk Beds** and the **Government Code of Federal Regulations 1213 and 1513**. To ensure the safe use of our product, we ask that you observe the following safety warnings:

1. Follow the information on the warning label attached to the upper bed end. **Do not remove this label.**
2. Use only a mattress meeting the following specifications on the upper bunk to help prevent the likelihood of entrapment or falls:

<u>Bed Type</u>	<u>Length</u>	<u>Width</u>
Standard Twin	74" – 75"	37 1/2" – 38 1/2"
Narrow Twin(40")	74" – 75"	35 1/2" – 36 1/2"
Extra Narrow Twin(34")	74" – 75"	29 1/2" – 30 1/2"
Queen Length	79" – 80"	37 1/2" – 38 1/2"
Narrow Qn. Len.(40")	79" – 80"	35 1/2" – 36 1/2"
Extra Nar. Qn. Len.(34")	79" – 80"	29 1/2" – 30 1/2"

3. Ensure that the combined thickness of mattress and bunkie board (foundation) does not exceed 10" and that surface of the mattress is at least 5" below the upper edge of the guardrails.
4. Do not allow children under 6 years of age to use the upper bunk.
5. Periodically check bunk beds to ensure that the guardrails, ladder and other components are in their proper position, free from damage, and that all connectors are tight.
6. Do not allow more than one person on upper bunk. Do not allow horseplay on or under the bed(s) and do not allow jumping on the bed(s).
7. Always use the ladder for entering and leaving the upper bunk.
8. Do not use substitute parts. Contact Customer Service for replacement parts.
9. Use of a night-light may provide an added safety precaution for a child using the upper bunk.
10. Always use guardrails on both long sides of the upper bunk to prevent entrapment between the bed and the wall.
11. The use of water or sleep flotation mattresses is prohibited.
12. Whenever moving or reassembling This End Up Bunk Beds, please double check these other safety features:
 - Every This End Up Bunk Bed is securely held together by 16 lag bolts which can be tightened using a 9/16" socket or adjustable wrench.
 - The two beds are held together by 4 metal pins; one at each corner.
 - The two guardrails are inserted into the end slots for greatest protection.
 - Ensure guardrail safety straps are firmly attached to upper bunk.
 - Slats supporting each mattress foundation (mattress and bunkie board) are tightly screwed into place.

13. Extra bunk bed assembly instructions and hardware are available from Customer Service.
14. Keep these instructions for future use.
15. **Strangulation Hazard** – Never attach or hang items to any part of the bunk bed that are not designed for use with the bed; for example, but not limited to hooks, belts and jump ropes.
16. **Replacement Parts** – Replacement parts, including additional guardrails, may be obtained from our corporate office by calling 800-605-2130 9 AM -4 PM Monday thru Friday.

The Bunk Bed Safety Label States:

WARNING!

To help prevent serious or fatal injuries from entrapment or falls:

- Never allow a child under 6 years on upper bunk.
- Use only a mattress meeting the following specifications on the upper bunk:

<u>Bed Type</u>	<u>Length</u>	<u>Width</u>
Standard Twin	74" – 75"	37 1/2" – 38 1/2"
Narrow Twin (40")	74" – 75"	35 1/2" – 36 1/2"
Extra Nar. Twin (34")	74" – 75"	29 1/2" – 30 1/2"
Queen Length	79" – 80"	37 1/2" – 38 1/2"
Narrow Qn. Len. (40")	79" – 80"	35 1/2" – 36 1/2"
Extra Nar. Qn. Len.(34")	79" – 80"	29 1/2" – 30 1/2"

- Ensure thickness of mattress does not exceed 10" and mattress is at least 5" below upper edge of guardrails.
- Use guardrails on both sides of upper bunk.
- Prohibit horseplay on or under bed(s).
- Prohibit more than one person on upper bunk.
- Use ladder for entering and leaving upper bunk.

STRANGULATION HAZARD – Never attach or hang items to any part of the bunk bed that are not designed for use with the bed; for example, but not limited to hooks, belts and jump ropes.

DO NOT REMOVE THIS LABEL

Periodically, we suggest that you check your bunk bed for nicks that you child may have made in the finish. If you find such a nick, sand it until it is smooth. Finish with honey pine stain available at you local home center. Also, your furniture can be made richer by applying a good furniture oil from time to time.